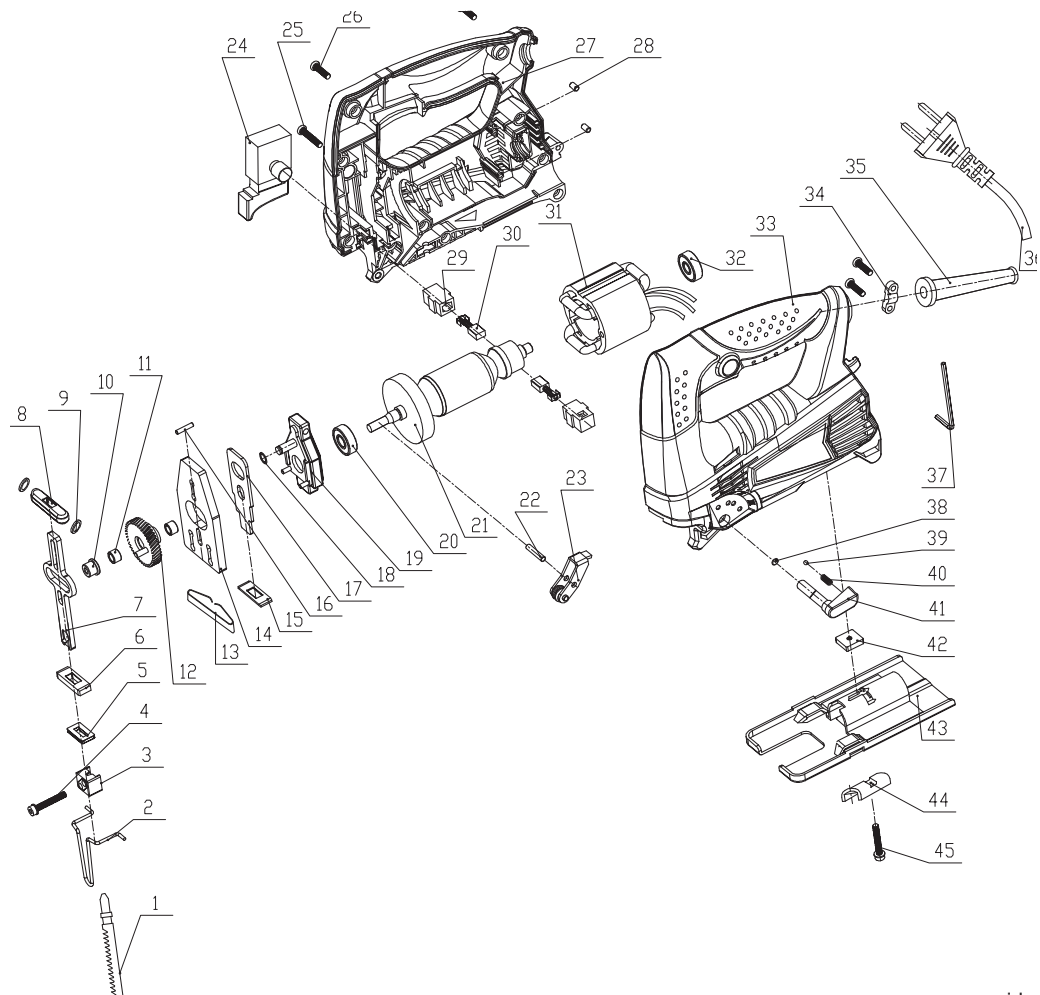


EXPLODED VIEW



No.	NAME	QTY
1	saw strip	1
2	baffle	1
3	cutting head	1
4	screw M4*12	2
5	lard clip	1
6	below supporting shoe	1
7	reciprocating lever	1
8	up supporting shoe	1
9	O ring \varnothing 10* \varnothing 2.5	2
10	Pulley	1
11	steel cover	1
12	big gear	1
13	reset the shell	1
14	balance	1
15	small oil clamp	1
16	balance positioning pin	1
17	board	1
18	axis spring \varnothing 6	1
19	center support assembly	1
20	bearing 608	1
21	rotor	1
22	wheel positioning pin	1
23	wheel frame	1
24	switch	1
25	screw ST4.2*35	1
26	screw ST4.2*16	11
27	right chassis	1
28	shockproof pin	2
29	brush holder	2
30	carbon brush	2
31	stator	1
32	bearing 627	1
33	left chassis	1
34	cable clamp	1
35	cable sheath	1
36	cable	1
37	socket head wrench	1
38	axis spring \varnothing 4	1
39	steel ball \varnothing 3	1
40	tool spring	1
41	tool knob	1
42	locator	1
43	base	1
44	compact head	1
45	screw M4*16+flat washer	1